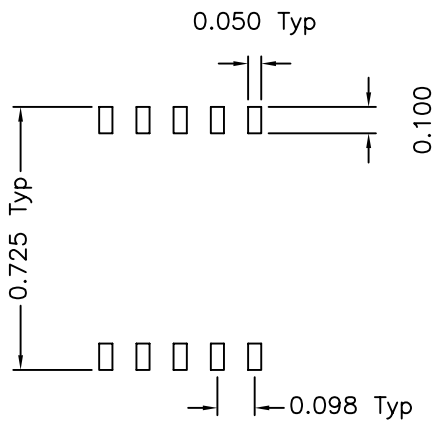
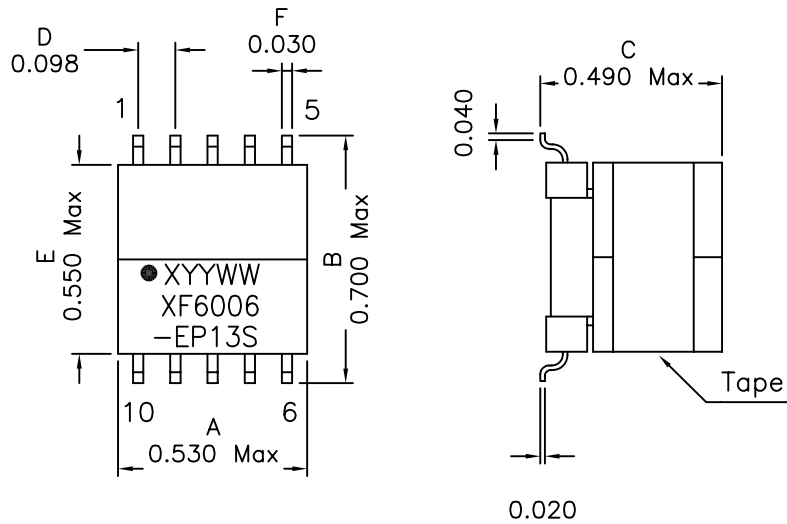


## 1. Mechanical Dimensions



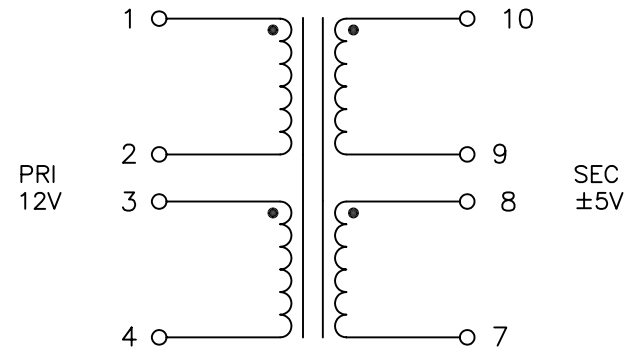
Suggested Pad Layout

### Notes:

1. Solderability: Leads shall meet MIL-STD-202G, Method 208H for solderability.
2. Flammability: UL94V-0
3. ASTM oxygen index: > 28%
4. Insulation System: Class F 155°C. UL file E151556
5. Operating Temperature Range: All listed parameters are to be within tolerance from -40°C to +85°C
6. Storage Temperature Range: -55°C to +125°C
7. Aqueous wash compatible
8. SMD Lead Coplanarity:  $\pm 0.004$ "(0.102mm)
9. Electrical and mechanical specifications 100% tested
10. RoHS Compliant Component

DOC REV: A/2

## 2. Schematic:



\*Connect Pins 9+8, 2+3 on PC Board

## 3. Electrical Specifications: @25°C

OCL: Pins 1-2 600uH Min @10KHz 0.1V, Ls

Q: Pins 1-2 tbd Min @10KHz 0.1V, Ls

DCR: Pins 1-2 0.290 Ohms Max

Pins 3-4 0.290 Ohms Max

Pins 10-9 0.230 Ohms Max

Pins 8-7 0.230 Ohms Max

Turns Ratio: Pins (1-2):(3-4)= 1:1  $\pm 1\%$

Pins (1-2):(10-9)= 1.499:1  $\pm 1\%$

Pins (1-2):(8-7)= 1.499:1  $\pm 1\%$

HIPOT: 500Vdc, PRI to SEC, All Wdgs to Core

**PROPRIETARY**

Document is the property of XFMRS Group & is not allowed to be duplicated without authorization.

XFMRS Inc www.XFMRS.com	Title: Transformer		
	UNLESS OTHERWISE SPECIFIED TOLERANCES: .xxx $\pm 0.010$ Dimensions in INCH		P/N: XF6006-EP13S
SHEET 1 OF 1	DWN.	Mei Chen	1-31-11
	CHK.	YK Liao	1-31-11
	APP.	BW	1-31-11